

∅172 K series

x150x51mm



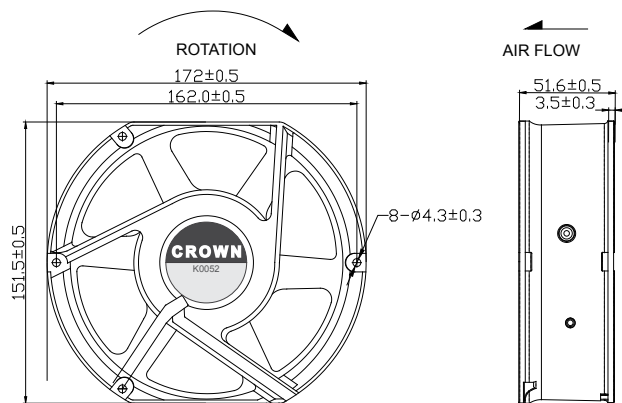
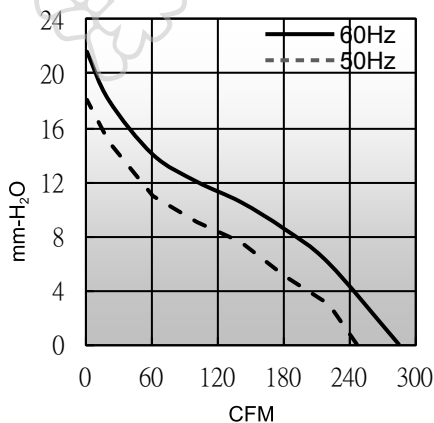
General Specifications

- Motor : Singal phase induction capacitor motor
- Frame & Impller : Metal
- Storage temperature : -40°C to +75°C
- Operating temperature : -10°C to +70°C

Major Characteristic Parameters

Model	Bearing System	Rated Voltage	Freq.	Power Input	Rated Speed	Maximum Air Flow	Maximum Static Pressure	Sound Level	Weight		
Part NO.	B / S	V	Hz	W	RPM	m ³ /min	CFM	mm-H ₂ O	In-H ₂ O	dBA	Kg
K0052B11	B / S	110	50/60	35/32	2800/3200	6.51/7.93	230/284	18.0/21.6	0.71/0.85	50/52	1.05
K0052B21	B / S	230	50/60	35/32	2800/3200	6.51/7.93	230/284	18.0/21.6	0.71/0.85	50/52	1.05

*Bearing system B: Two Ball Bearing F: Fluid Bearing S: Sleeve Bearing



unit:mm